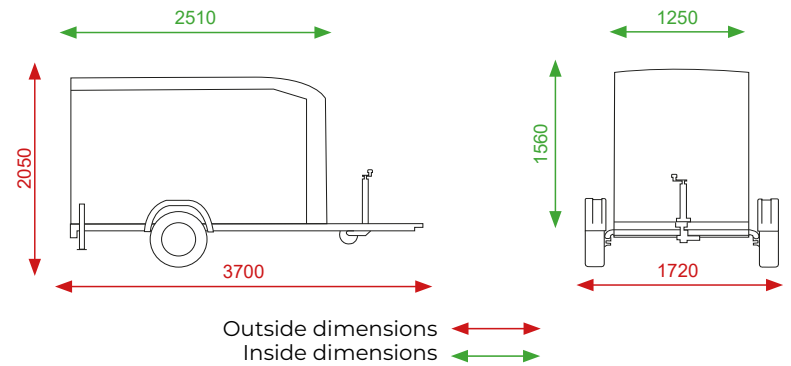


ROADSTER 255



Roadster 255



Unbraked trailer Unladen weight = 350 kg Max. gross weight = 400 to 750 kg	Braked trailer Unladen weight = 370 kg Max. gross weight = 750 to 1300 kg
---	--

- Single axle braked 1300kg
- Galvanised steel chassis with aluminium extrusion framework
- Roof and front one solid fiberglass part
- Plywood side walls
- Anti slip multiplex floor
- Shockproof ABS mudguards
- Automatic jockey wheel with manoeuvring handle
- Aluminium two-way rear opening door/ramp
- Protected lights
- Tie-rings x4
- Interior light
- 2 prop stands
- Wheel shocks

Plywood



Aluminium



5 years warranty on aluminium parts

OPTIONALS

- Composite side walls
- Aluminium side walls
- Lateral door
- Shock absorbers



Unbraked version



Aluminium version