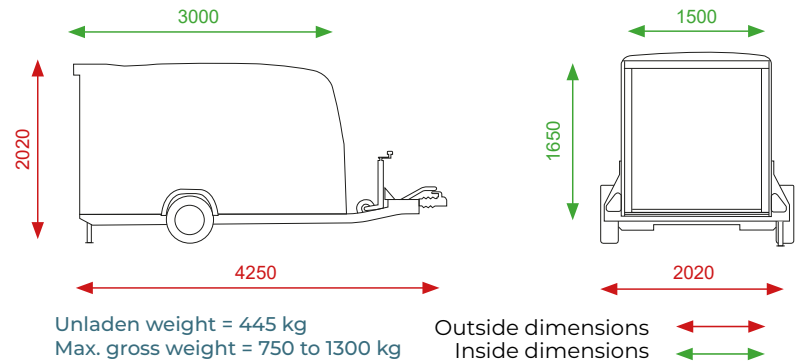


CARGO 1300



CARGO 1300



- Single axle braked 1300kg
- Pullman 2 Suspension (Low chassis and galvanised suspension system)
- Galvanised steel chassis with aluminium extrusion framework
- Total height 2,05m (fits in the average garage)
- Fibreglass bodywork
- Anti slip multiplex floor
- Skockproof ABS mudguards
- Automatic jockey wheel with manoeuvring handle
- Aluminium two-way rear opening door/ramp
- Protected lights
- 2 prop stands
- Tie-rings x4
- Interior light
- Wheel shocks

PULLMAN 2
performance

Colors



- OPTIONALS
- Lateral door

